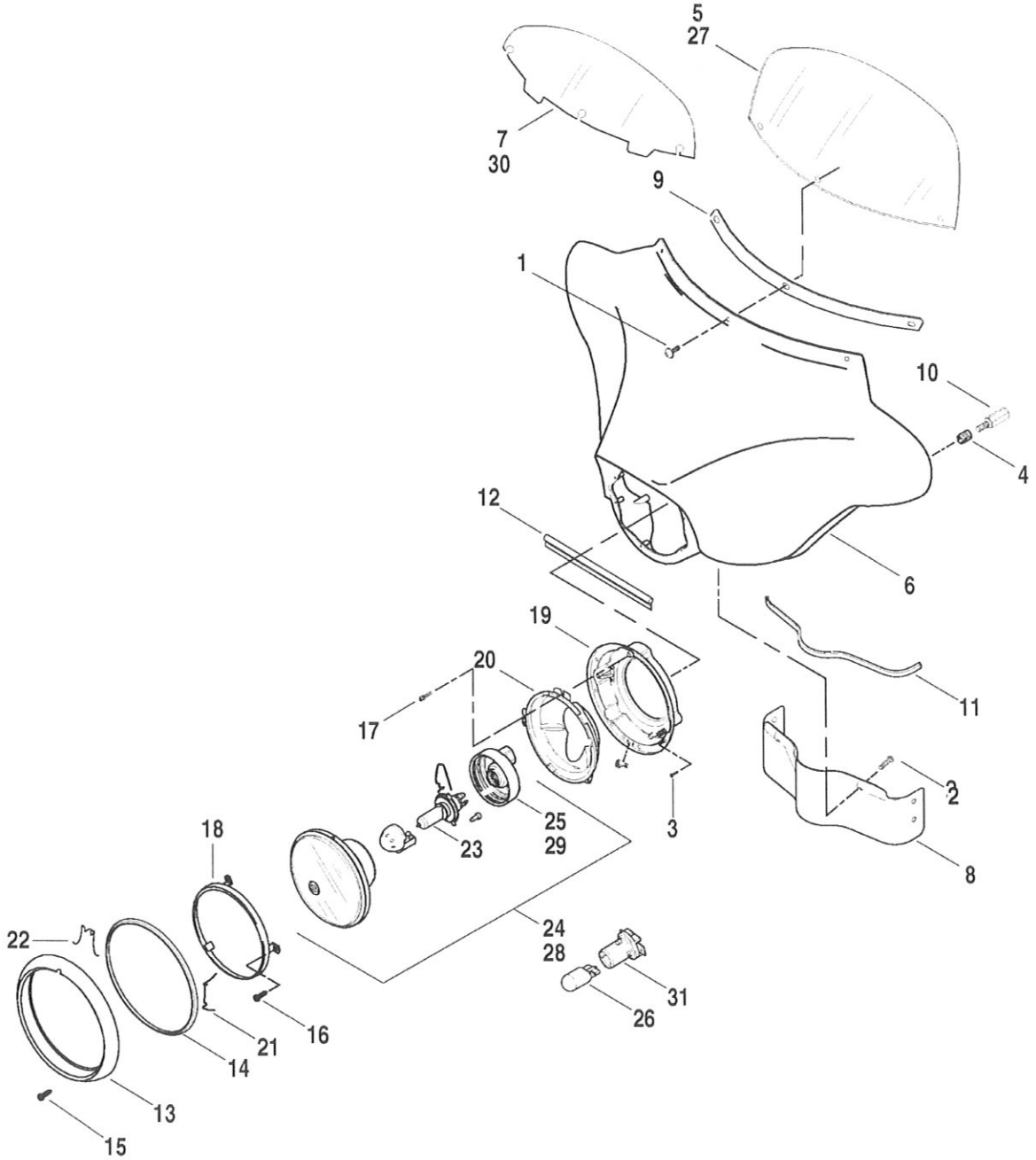


# WINDSHIELD, FAIRING, & HEADLAMP - FLHT & FLHX MODELS



Ref #	Part Number	Qty	Description
1	2445	3	SCREW, 1/4-20 X 9/16 button hd.
2	2446	2	SCREW, 1/4-20 X 5/8 torx socket button hd.
3	4790	4	SCREW
4	16585-96	4	INSERT, threaded
5	58187-96	1	WINDSHIELD
6	58236-96	1	FAIRING, outer (prime)
7	58207-04	1	WIND DEFLECTOR ASSEMBLY, (smoked)
8	58208-96	1	SKIRT, outer fairing
9	58247-96	1	CUSHION TAPE, windshield mounting
10	58949-96	2	NUT, extension
11	62786-96	1	TRIM STRIP, skirt
12	62787-96	1	SEAL, fairing skirt
13	67712-83	1	DOOR, headlamp
14	67716-60A	1	GASKET, headlamp door
15	67718-60A	1	SCREW, headlamp door
16	67721-48	3	SCREW, headlamp retaining ring (Australia, England, HDI, Japan)
17	67724-71	2	ADJUSTING SCREW, headlamp (Australia, England, HDI, Japan)
18	67726-71A	1	RETAINING RING, headlamp (Australia, England, HDI, Japan)
19	67728-02	1	BUCKET ASSEMBLY (Australia, England, HDI, Japan)
20	67732-71B	1	MOUNTING RING, headlamp (Australia, England, HDI, Japan)
21	67780-60	1	SPRING, bottom
22	67778-60	1	TOP SPRING
23	68329-03	1	BULB
24	68342-05	1	HEADLAMP ASSEMBLY
25	68390-05	1	BOOT
26	53438-92	1	BULB, position lamp (Australia, England, HDI, Japan) - INTERN...
27	58324-97	1	WINDSHIELD (Australia, England, HDI, Japan) - INTERNATION...
28	68344-05	1	HEADLAMP ASSEMBLY, left dip (Australia, England, Japan) - I...
	68345-05	1	HEADLAMP ASSEMBLY, right dip (HDI) - INTERNATIONAL ON...
29	68380-05	1	BOOT (Australia, England, HDI, Japan) - INTERNATIONAL ONLY
30	58409-06	1	WIND DEFLECTOR ASSEMBLY, (KB-Australia; KB-England; Ja...
31	68653-05	1	SOCKET, position lamp (Australia, England, HDI, Japan) - INTE...